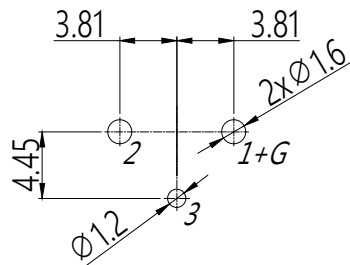
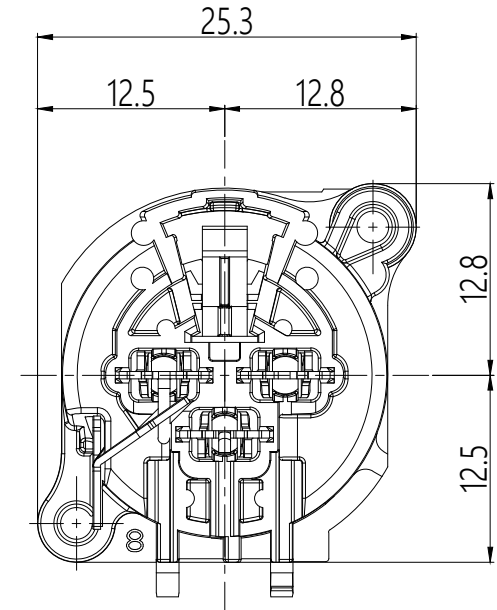
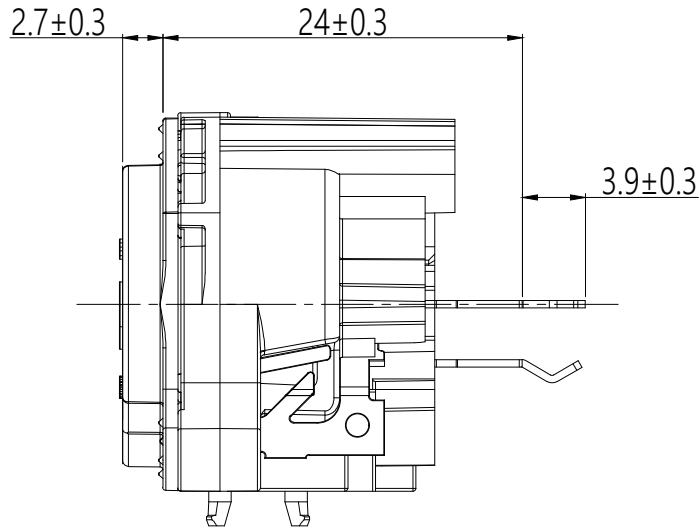
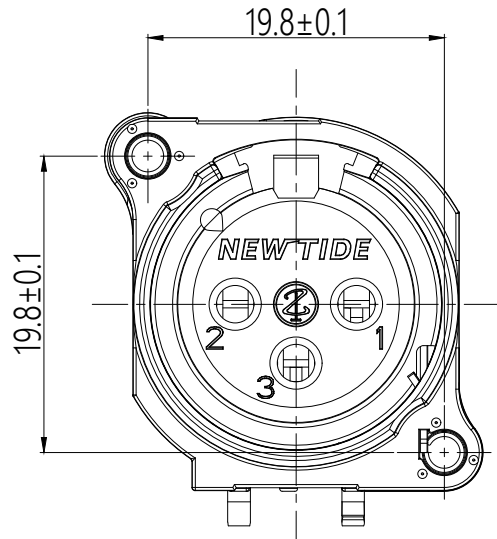
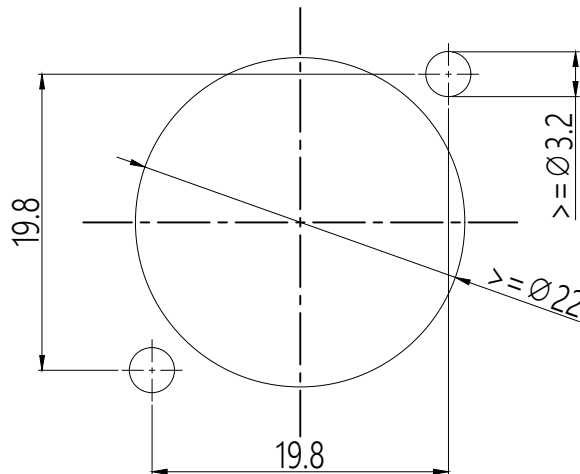


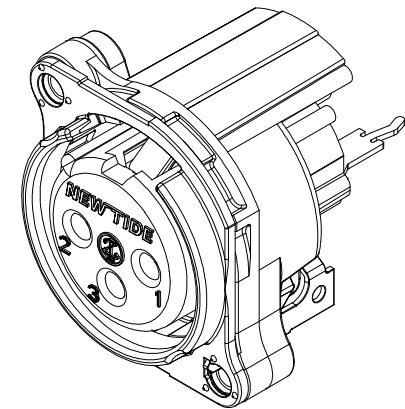
Self-tapping screw specifications : M2.5 DIN 7500



PCB-Layout(component side)



Panel cut out(Rear side)



grounding: mating connector shell to pin1
and front panel, vertical PCB mount,
retention spring instead of latch

D	機種 MODER	XRB0474	料號 PART NO.	1047408-030304	圖號 DWG NO.	XRB0474-3P1-0	製圖 DRAWER	Andy Lin	Symbol for third angle projection	帝公企業股份有限公司 KING NET ENTERPRISE CO.,LTD. TEL:06-3557301 FAX:06-3557435
	品名 TITLE	3 pole plastic female XLR receptacle		版本 VERSION	A	比例 RATIO	1:2	日期 DATE	2023/06/02	
	1	2	3	4	5	6				