

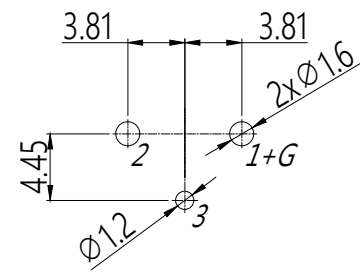
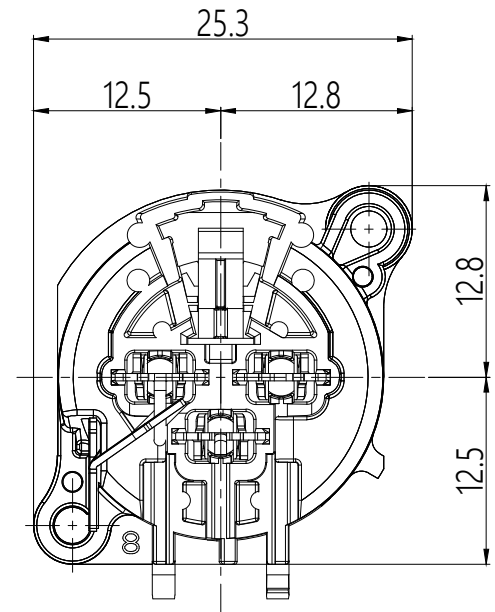
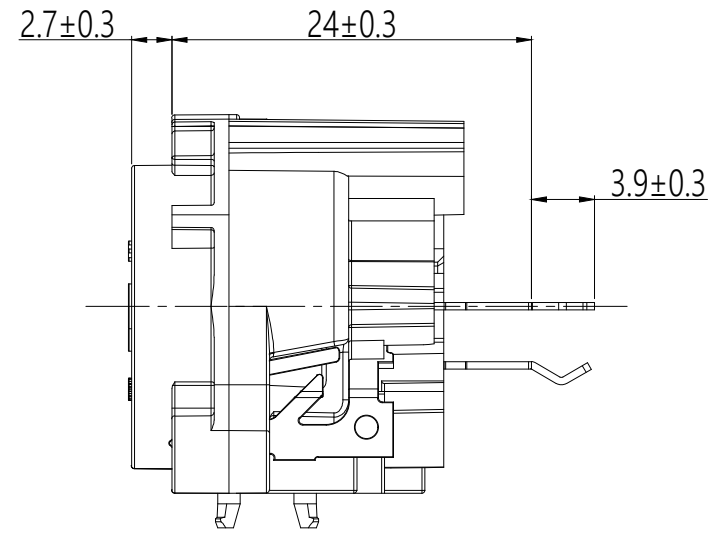
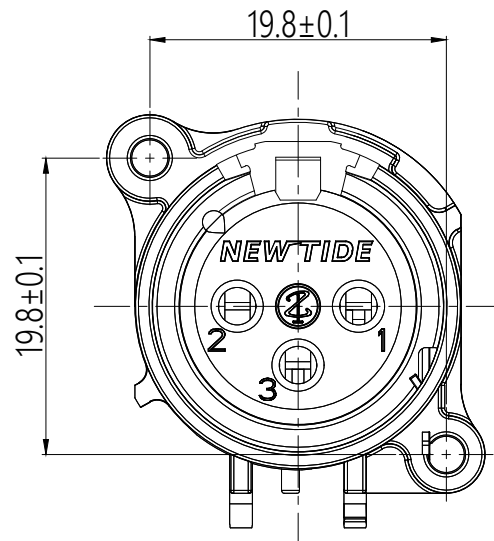
Self-tapping screw specifications : 4-24(2.9x1.06)

A

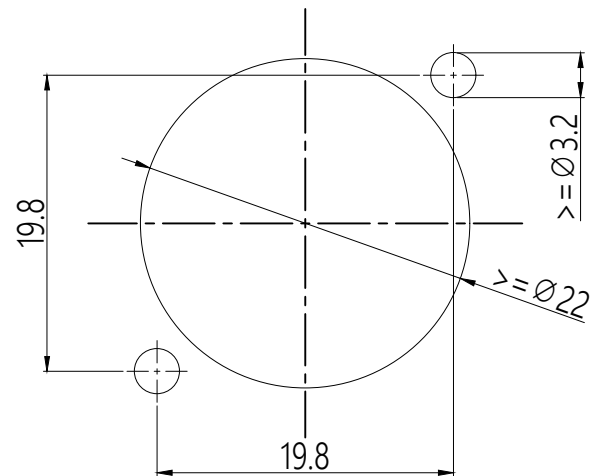
B

C

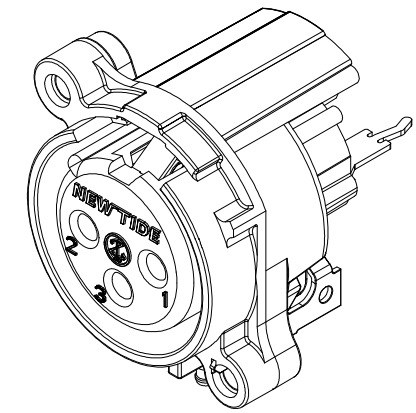
D



PCB-Layout(component side)



Panel cut out(Rear side)



grounding: mating connector shell to pin1 and front panel, vertical PCB mount, retention spring instead of latch

A

B

C

D

機種 MODER	XRA0374	料號 PART NO.	1037408-030306	圖號 DWG NO.	XRA0374-3P1-0	製圖 DRAWER	Andy Lin	Symbol for third angle projection
品名 TITLE	3 pole plastic female XLR receptacle		版本 VERSION	A	比例 RATIO	1:2	日期 DATE	2023/06/02



帝公企業股份有限公司  
KING NET ENTERPRISE CO.,LTD.  
TEL:06-3557301 FAX:06-3557435